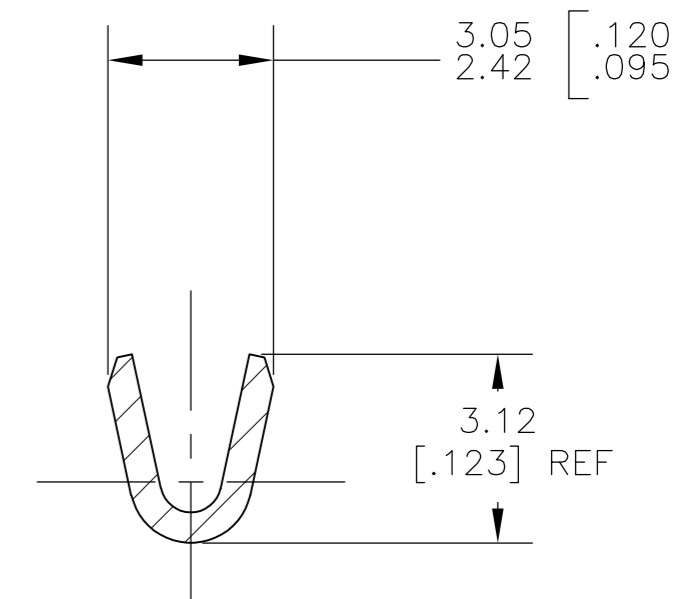
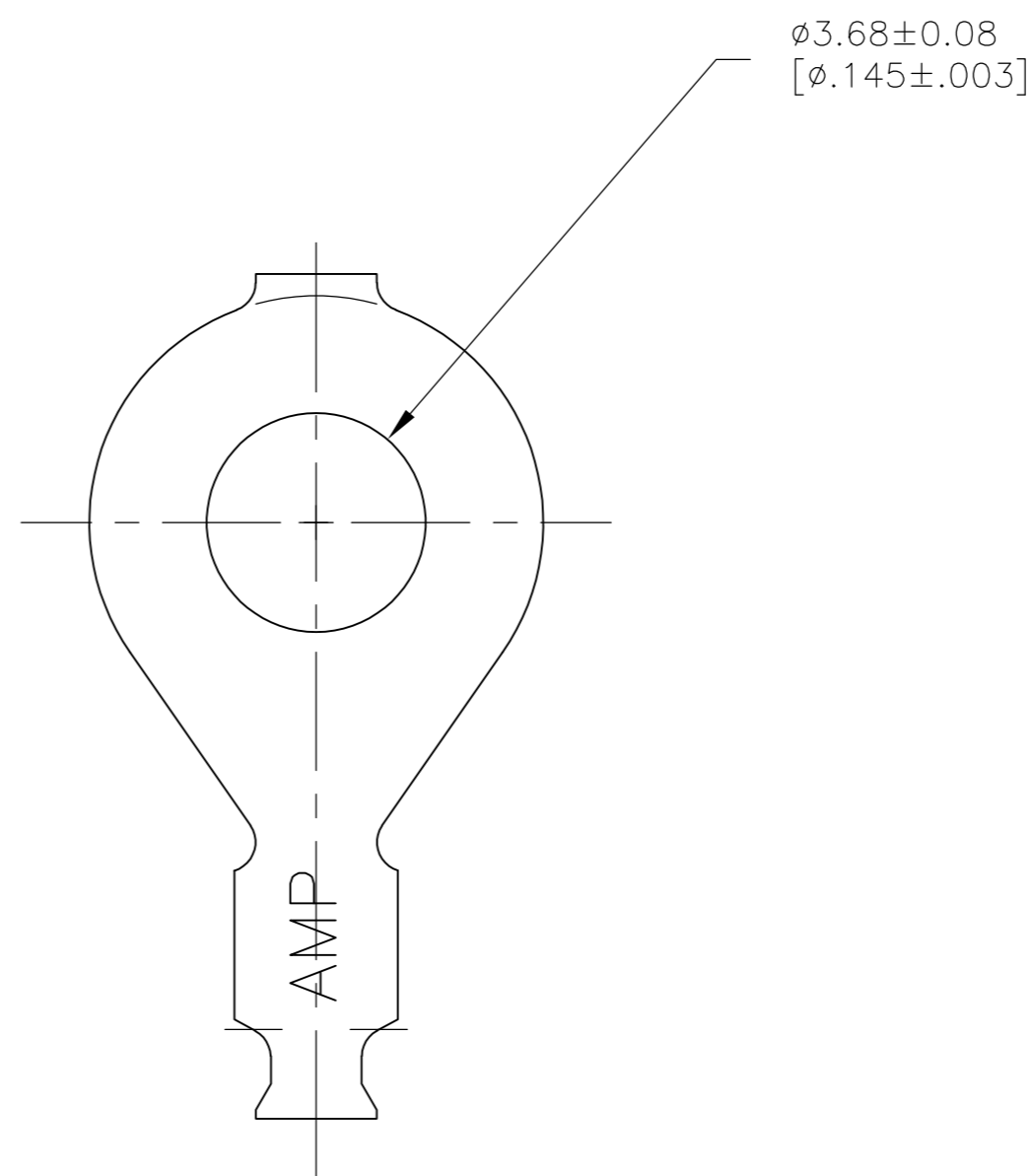
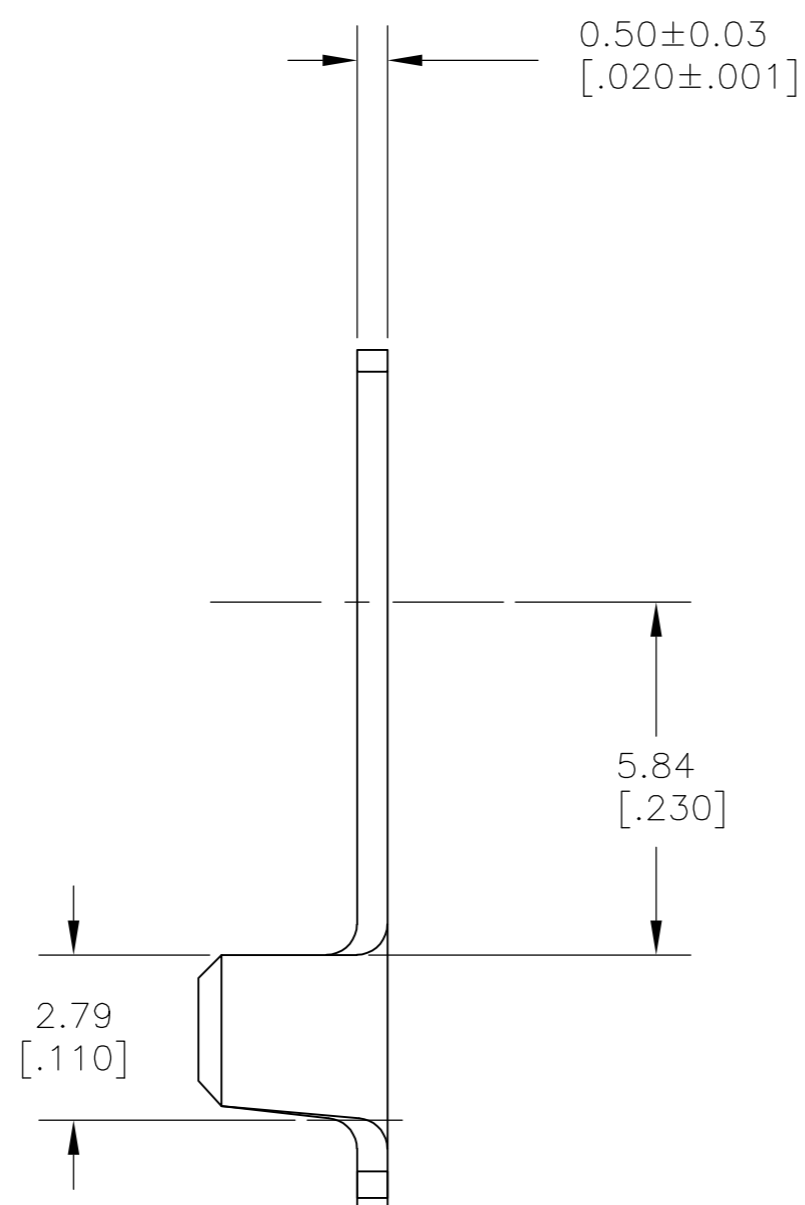
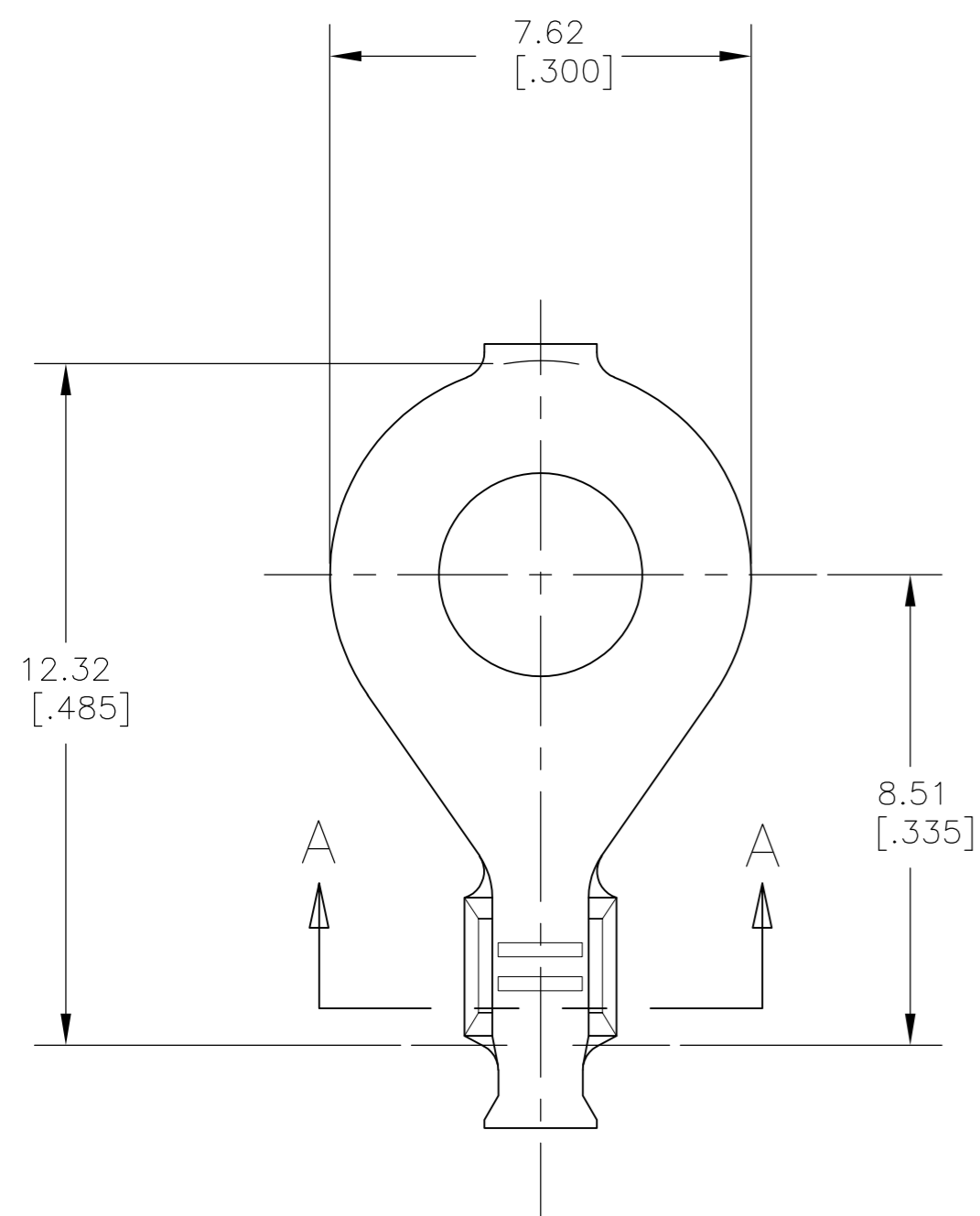


THIS DRAWING IS UNPUBLISHED. RELEASED FOR PUBLICATION  
 © COPYRIGHT BY TYCO ELECTRONICS CORPORATION. ALL RIGHTS RESERVED.

LOC	DIST	REVISIONS			
P	LTR	DESCRIPTION	DATE	DWN	APVD
AF	50	D1	REDRAWN PER ECR-07-029463	6DEC07	MF DD

- 1 CONTINUOUS STRIP ON REELS.
- 2 WIRE RANGE: 0.3-0.9mm<sup>2</sup> [#22-#18] AWG.



SECTION A-A

TIN PLATE	62686-2
NONE	62686-1
FINISH	PART NUMBER

THIS DRAWING IS A CONTROLLED DOCUMENT.		DWN 23OCT2007 MICHAEL S. FEHER	Tyco Electronics Corporation Harrisburg, PA 17105-3608
DIMENSIONS: mm [INCHES]		CHK 23OCT2007 DONALD F. DECKER	
TOLERANCES UNLESS OTHERWISE SPECIFIED:		APVD 23OCT2007 DONALD F. DECKER	
0 PLC ± - 1 PLC ± - 2 PLC ± - 3 PLC ± 0.38 [.015] 4 PLC ± - ANGLES ± 1°		PRODUCT SPEC - APPLICATION SPEC -	
MATERIAL 082 BRASS	FINISH SEE TABLE	WEIGHT -	NAME TERMINAL, RING NUMBER 6 STUD SIZE M3.5 METRIC SIZE A2 CAGE CODE 00779 DRAWING NO C=62686 RESTRICTED TO - SCALE 8:1 SHEET 1 of 1 REV D1